



# Kiaro Easy

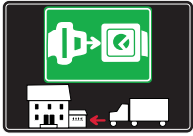
OPENING  
SYSTEMS  
FOR LIFT  
UP AND  
DROP  
DOWN  
DOORS





# SYMBOLS AND FINISHES LEGEND

## SYMBOLS



= SHELF SAFELY LOCKED DURING TRANSPORTATION AND AT HOME.



= ANTI-TURNOVER LOCKING SYSTEM



= NORMS / PATENTS



= PHILLIPS / POZIDRIV



= WITH BUFFER



= PART NO.



= BLADE SLOT



= WITH MAGNET



= PCS. PER PACKAGE



= COMBI SLOT



= HEXAGONAL SOCKET



= NEWTON



= CAPACITY LOADING



= HEXALOBULAR SOCKET



= FRICTION



= WOOD / GLASS THICKNESS



= COUNTERSUNK HEAD



= AUTOMATIC



= HOLE DIAMETER



= PAN HEAD



= DROP DOWN



= DIAMETER



= FLANGE HEAD



= LENGTH



= FLAT HEAD



= STANDARD HINGE



= HEIGHT



= TRILOBULAR SCREW



= KIMANA HINGE



= RIGHT VERSION



= SELF-TAPPING SCREW



= FLAP HINGE



= LEFT VERSION



= EURO THREAD



= WITH SPRING



= SETTING CODE



= METRIC THREAD



= WITHOUT SPRING



= PCS. PER PAD



= PRE-INSERTED SCREW



= REVERSED SPRING



= CUT ON REQUEST



= PRE-INSERTED SCREW AND SPREADING BUSH



= SELF ADHESIVE



= WITH FLANGE

NOTE: Printing errors and omissions may exist despite our best efforts to ensure accuracy. We reserve the right to alter specifications without notice.

## MATERIALS

<b>ZA</b> = Zinc Alloy	<b>ST</b> = Steel	<b>HSS</b> = High Speed Steel	<b>BR</b> = Brass	<b>ABS</b> = Acrylonitrile Butadiene Styrene
<b>ZAnk</b> = Nickel-plated Zinc Alloy	<b>STzk</b> = Zinc-plated Steel	<b>AL</b> = Aluminium	<b>WD</b> = Wood	<b>EVA</b> = Ethylene Vinyl Acetate

<b>EP</b> = <b>ENGINEERING PLASTIC</b>	+ <b>EP</b> = other engineering plastic available on request	<b>SR</b> = <b>SOFT RUBBER</b>	+ <b>SR</b> = other soft rubber available on request
--	--	--------------------------------	--

<b>EPn</b> = Natural Engineering Plastic	<b>EPc</b> = Clear Engineering Plastic	<b>SRn</b> = Natural Soft Rubber
<b>EPw</b> = White Engineering Plastic	<b>EPg</b> = Grey Engineering Plastic	<b>SRw</b> = White Soft Rubber
<b>EPwg</b> = Water Green Engineering Plastic	<b>EPa</b> = Anthracite Engineering Plastic	<b>SRb</b> = Black Soft Rubber



## FINISHES



= OTHER FINISHES AVAILABLE ON REQUEST

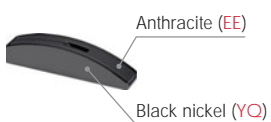
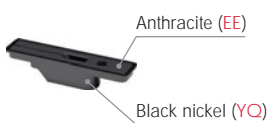
PART NO.	FINISHES	PART NO.	FINISHES	PART NO.	FINISHES
OO	Insignificant finish	IF	Middle Grey	RO	Red
AA	Natural	IJ	Light Grey	UT	T-Met 9007
AB	White	IL	Grey 20	UZ	T-Met
AE	White 9010	IN	Grey met. 26	WA	Bronzed
EA	Black	JB	Bright Aluminium	WI	Burnished
EC	Matt Black	JC	Aluminium - Chrome	XD	Satin-finished Steel
EE	Anthracite	JD	Matt Aluminium	YA	Nickel-plated
EW	Grey 9007	JE	Satin-finished Aluminium	YB	Bright Nickel-plated
FU	Gunmetal	JF	Aluminium - Brass	YC	Matt Nickel-plated
FV	Gunmetal V52	JG	Aluminium 5	YD	Satin-finished Nickel-plated
GR	Raw	JL	Aluminium PE 11	YQ	Black Nickel
HA	Brass-Plated	JM	Aluminium RAL 9006	Z9	Black Zinc
HH	Tropicalized	KA	Chrome	ZA	Zinc alloy
HL	Raw Brass	KB	Bright Chrome	ZN	Zinc-plated
HX	Graphite	KC	Matt Chrome	ZQ	Bright Gold
IA	Grey	LD	Brown 8019	ZY	Titanium
IB	Metallic Grey	NN	Metallic Beige	ZZ	Clear

## KIARO EASY

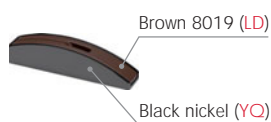
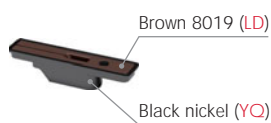


### AVAILABLE FINISHES

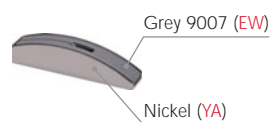
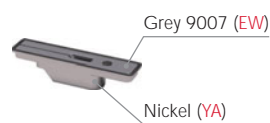
Anthracite (EE)



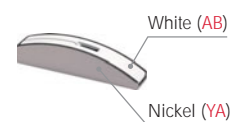
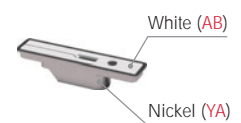
Brown 8019 (LD)



Grey 9007 (EW)

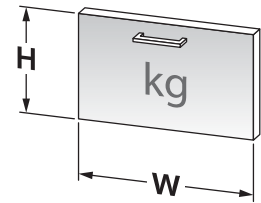
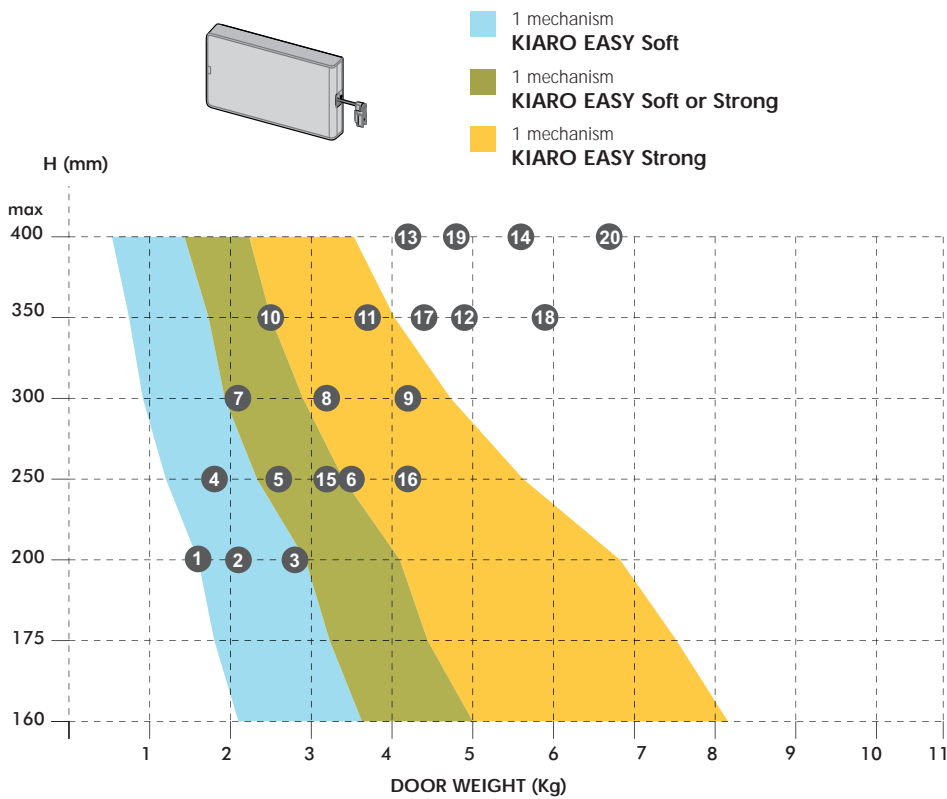


White (AB)



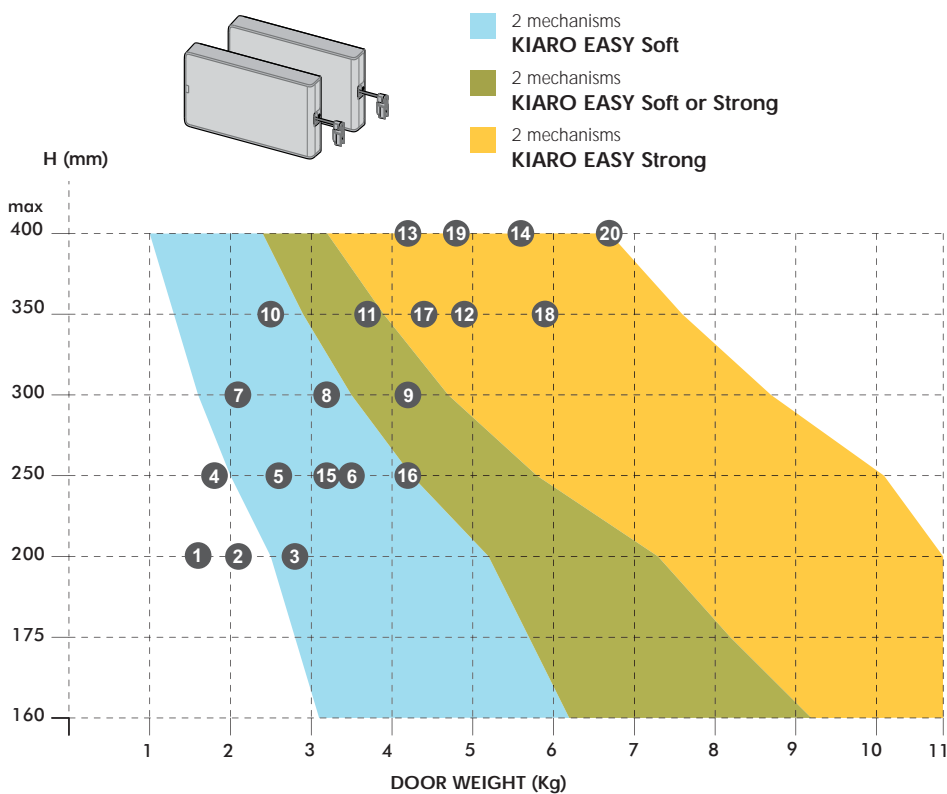


## KIARO EASY SINGLE INSTALLATION



Door weight including the possible handle.

## KIARO EASY DOUBLE INSTALLATION



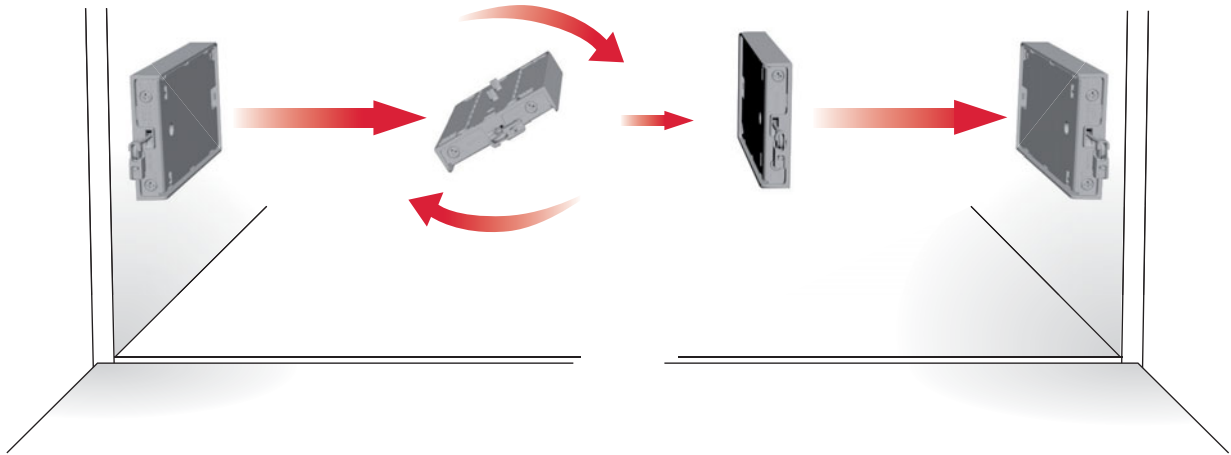
		H mm	W mm	Weight theoretical
1	Chipboard door thk 18mm	200	600	1,6 kg
2	Chipboard door thk 18mm	200	900	2,1 kg
3	Chipboard door thk 18mm	200	1200	2,8 kg
4	Chipboard door thk 18mm	250	600	1,8 kg
5	Chipboard door thk 18mm	250	900	2,6 kg
6	Chipboard door thk 18mm	250	1200	3,5 kg
7	Chipboard door thk 18mm	300	600	2,1 kg
8	Chipboard door thk 18mm	300	900	3,2 kg
9	Chipboard door thk 18mm	300	1200	4,2 kg
10	Chipboard door thk 18mm	350	600	2,5 kg
11	Chipboard door thk 18mm	350	900	3,7 kg
12	Chipboard door thk 18mm	350	1200	4,9 kg
13	Chipboard door thk 18mm	400	900	4,2 kg
14	Chipboard door thk 18mm	400	1200	5,6 kg
15	MDF door thk 18mm	250	900	3,2 kg
16	MDF door thk 18mm	250	1200	4,2 kg
17	MDF door thk 18mm	350	900	4,4 kg
18	MDF door thk 18mm	350	1200	5,9 kg
19	MDF door thk 18mm	400	900	4,8 kg
20	MDF door thk 18mm	400	1200	6,7 kg

Weight considering: Chipboard 650 Kg/m<sup>3</sup> and MDF 780 Kg/m<sup>3</sup>.

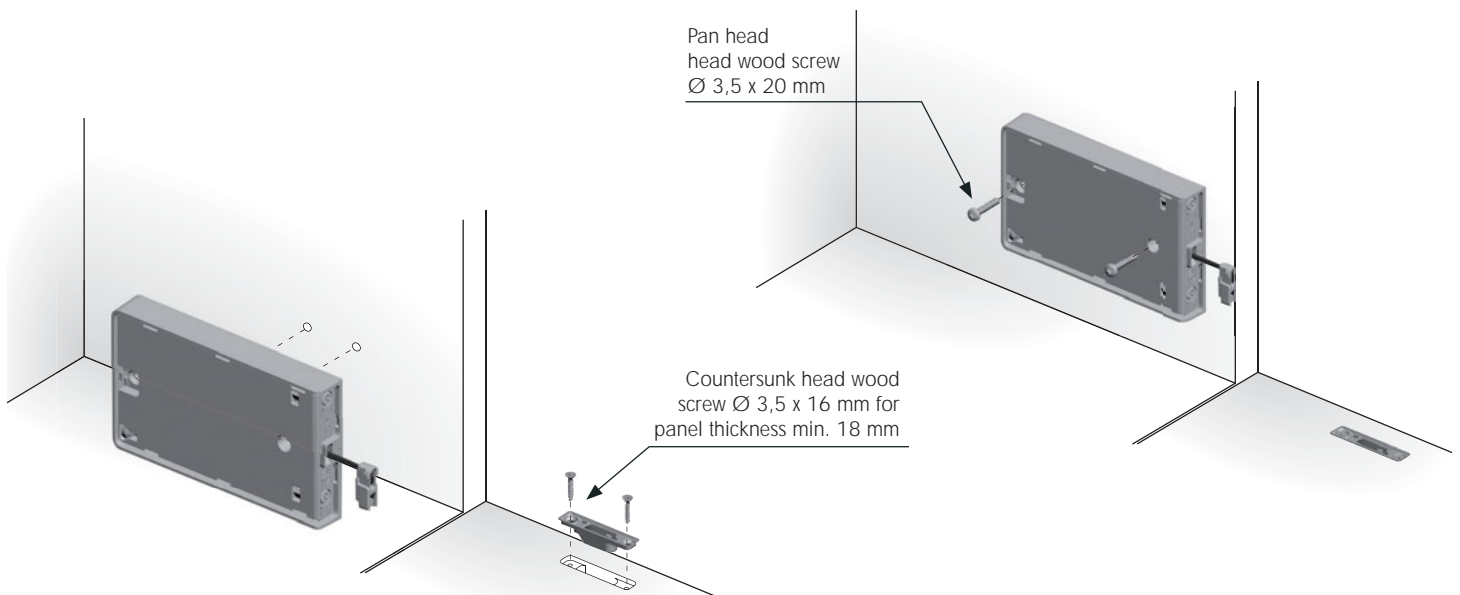
These are experimental results to be checked by the customer.

In accordance with the actual European regulation, we suggest where possible to use two KIARO EASY mechanisms for each door. Our technical department is at your disposal to analyze further cases out of this chart.

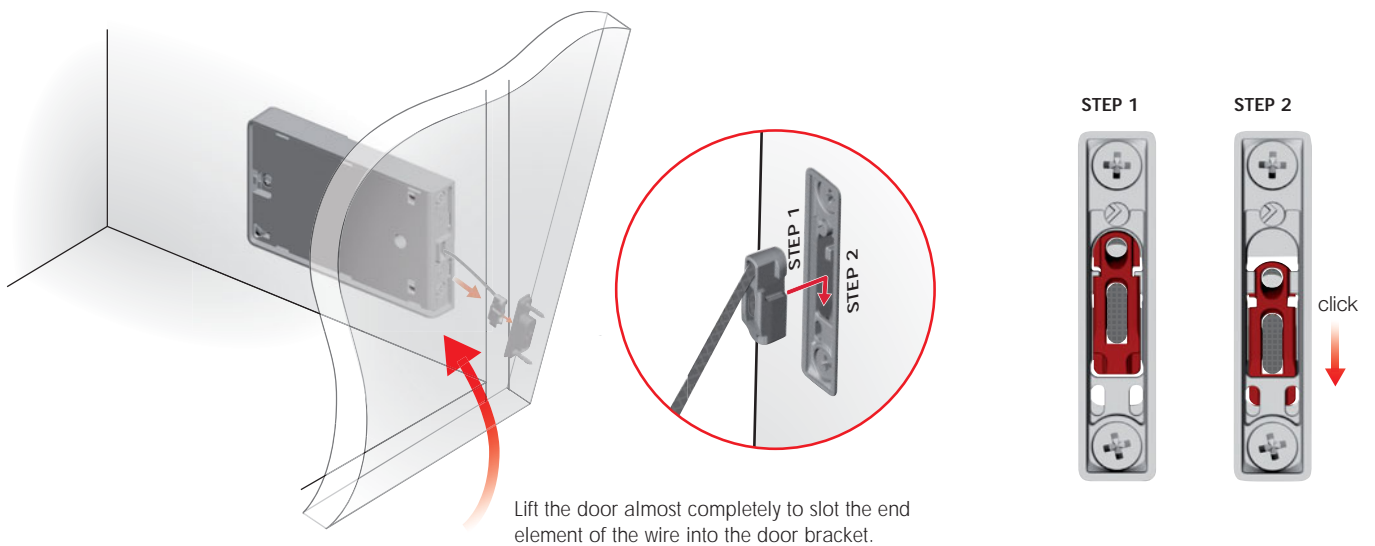
## UNHANDED MECHANISM



## MECHANISM AND DOOR BRACKET INSTALLATION

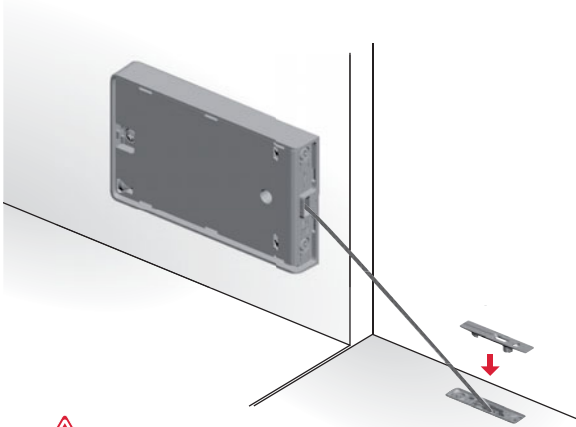


## WIRE INSERTION ONTO THE DOOR BRACKET



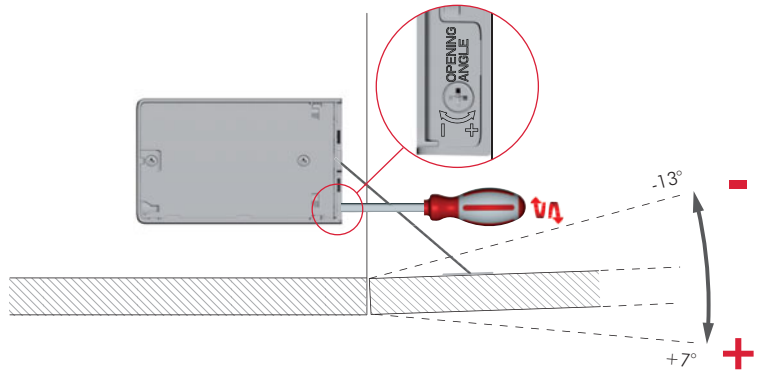


### DOOR BRACKET COVER CAP INSERTION



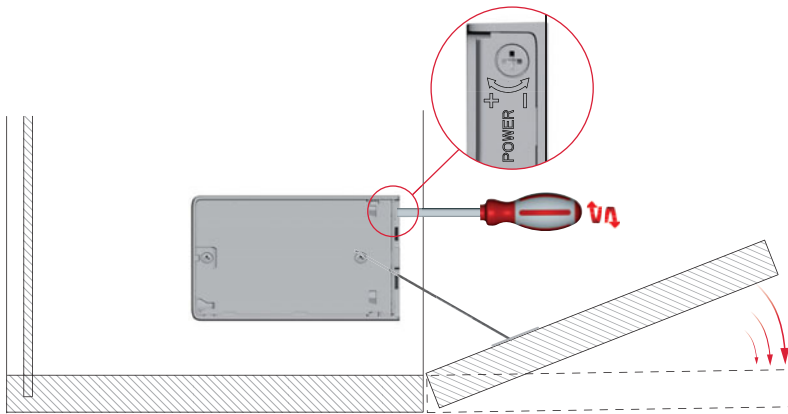
Place the cover cap on the door bracket before lifting the door.

### OPENING ANGLE ADJUSTMENT

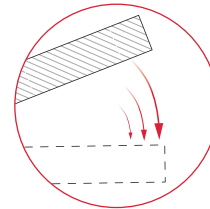


The adjustment of door opening angle must be carried out before the power adjustment.

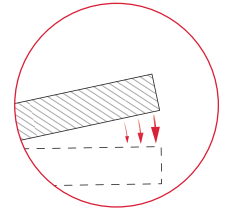
### POWER ADJUSTMENT



**Power +**  
The slowing phase of door opening is anticipated.

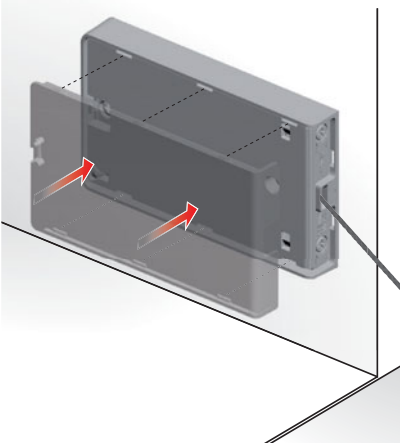


**Power -**  
The slowing phase of door opening is delayed.

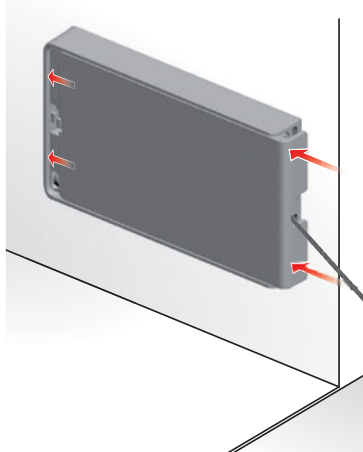


### MECHANISM COVER INSERTION

#### STEP 1

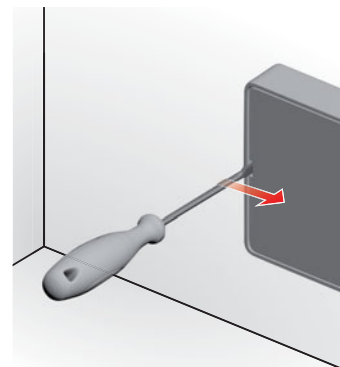


#### STEP 2

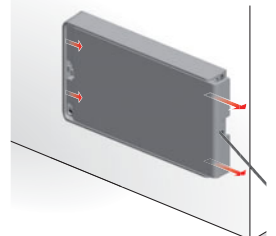


### MECHANISM COVER REMOVAL

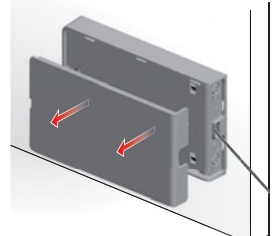
Use a blade screwdriver to unlock the cover and proceed with showed removal steps.



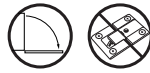
#### REMOVAL STEP 1



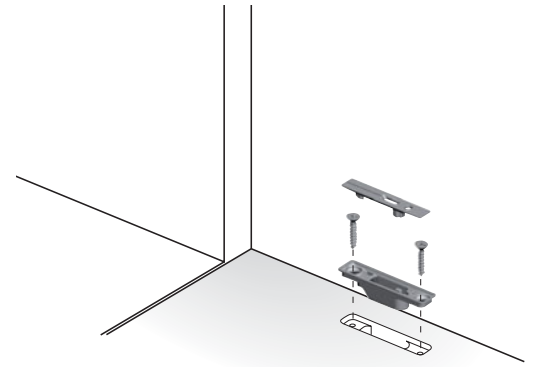
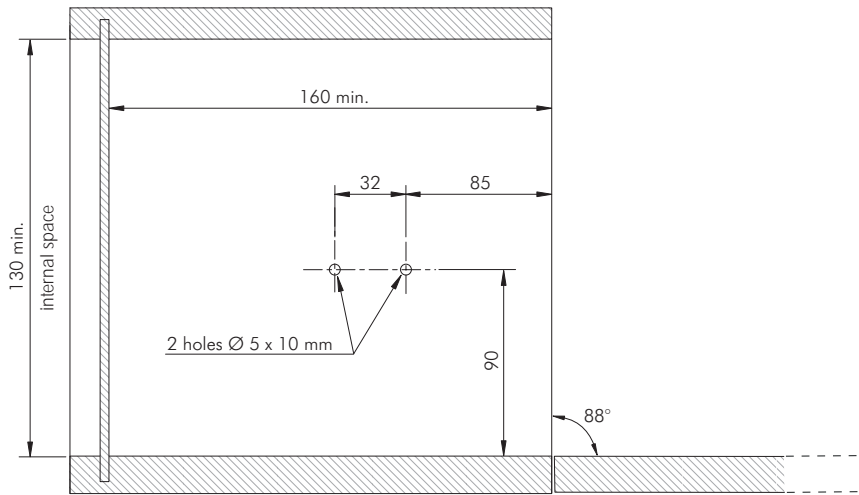
#### REMOVAL STEP 2



## KIARO EASY WITH KIMANA HINGE

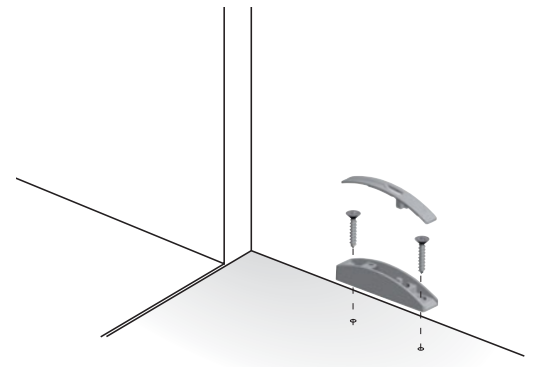
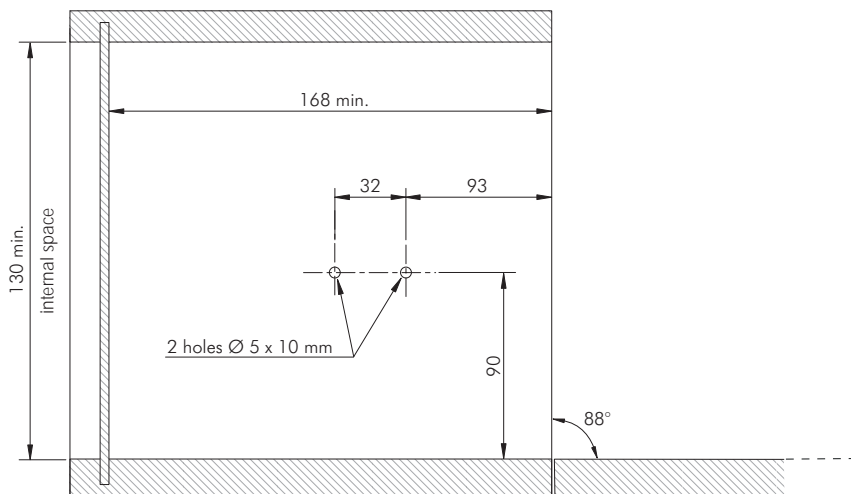


SIDE PANEL DRILLING PLAN WITH EMBEDDED DOOR BRACKET



Overcrossing 90° door opening angle, negatively affects the Kimana hinges.

SIDE PANEL DRILLING PLAN WITH SCREW FIXING DOOR BRACKET



Overcrossing 90° door opening angle, negatively affects the Kimana hinges.

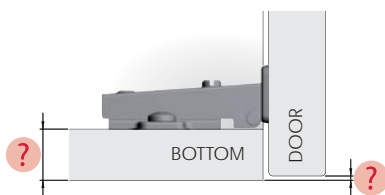


In case of door without handles it is recommended to use K Push Tech with buffer.

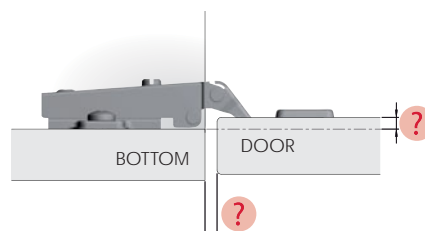
## KIARO EASY WITH STANDARD UNSPRUNG HINGES



In case the hinges to be installed are not KIMANA hinges, please contact our technical department to receive the correct drilling plan. It is necessary to indicate all the values requested in the following diagram:



CLOSING CONDITION

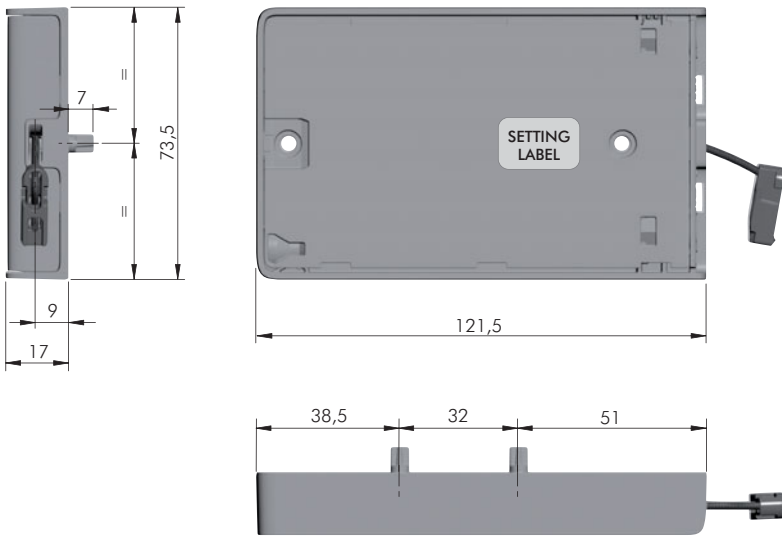


OPENING CONDITION





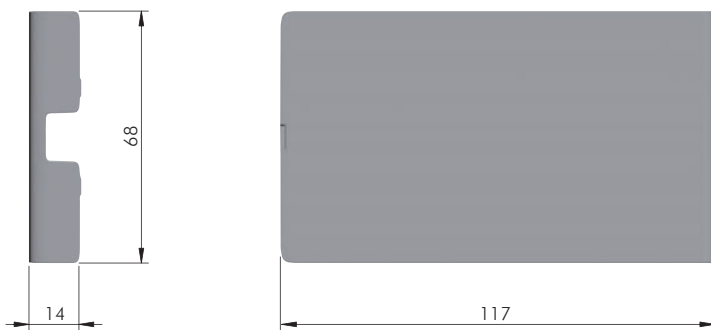
## KIARO EASY MECHANISM



ZA	EP	ST	= 20 pcs.	
49504000EE	EW	LD	AB	Soft
49506000EE	EW	LD	AB	Strong



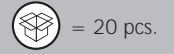
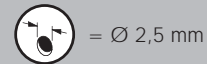
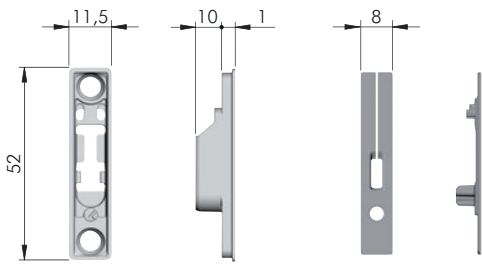
## KIARO EASY COVER



EP	= 20 pcs.			
49502000EE	EW	LD	AB	



## EMBEDDED DOOR BRACKET



49503000YQ



EE



YQ

49503000YA

EW

YA

49503010YQ

LD

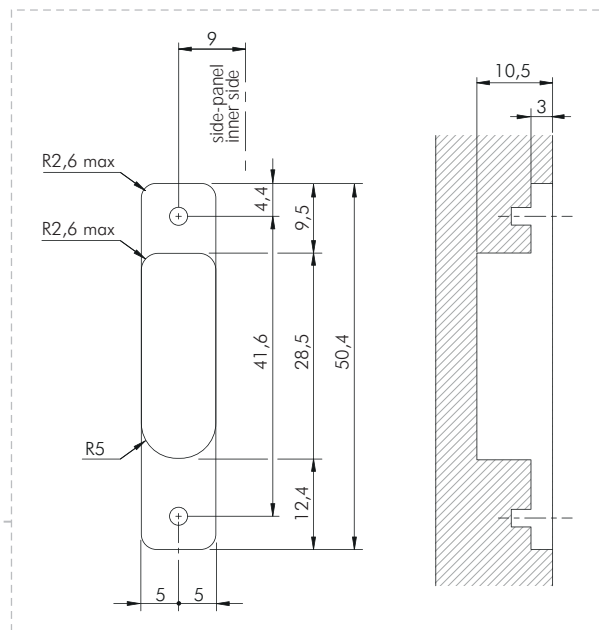
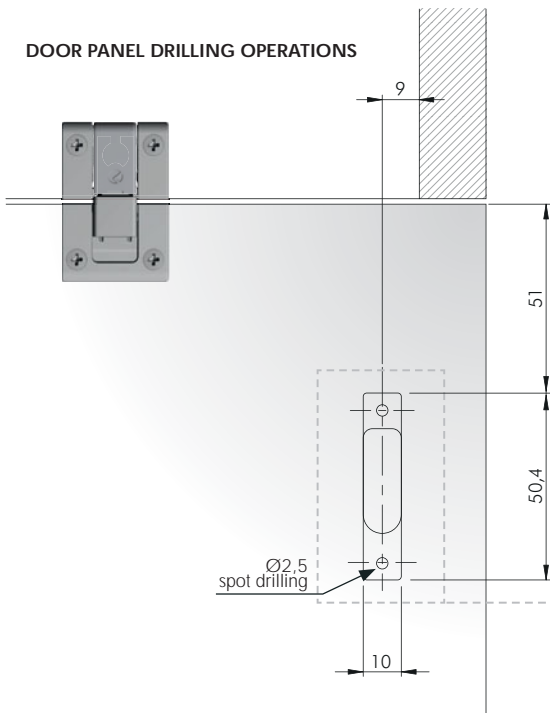
YQ

49503010YA

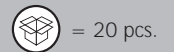
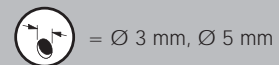
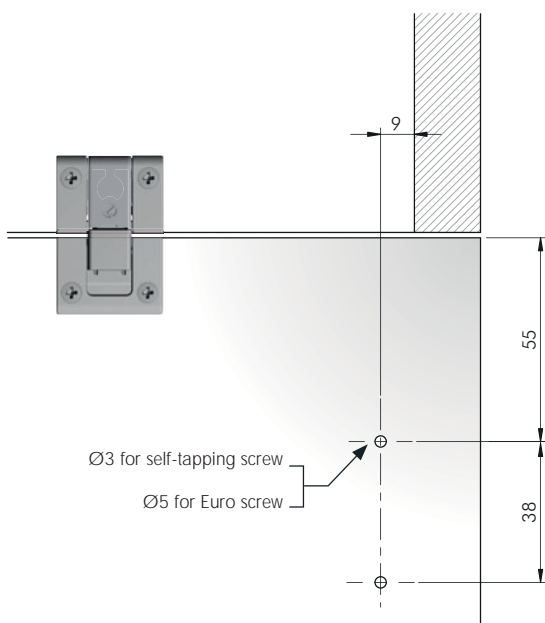
AB

YA

### DOOR PANEL DRILLING OPERATIONS



## SCREW FIXING DOOR BRACKET



49503500YQ



EE



YQ

49503500YA

EW

YA

49503510YQ

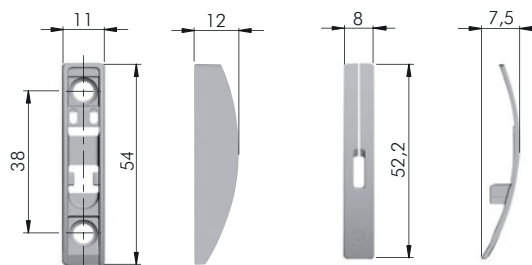
LD

YQ

49503510YA

AB

YA





## ACCESSORY FOR MECHANISM FIXING



= Ø 3 mm  
 = PZ2  
 = 10.000 pcs.

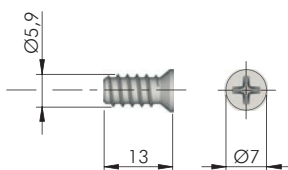
123  
**60103160ZN**

## ACCESSORIES FOR DOOR BRACKET FIXING



= Ø 3 mm +   
 = PZ2  
 = 10.000 pcs.

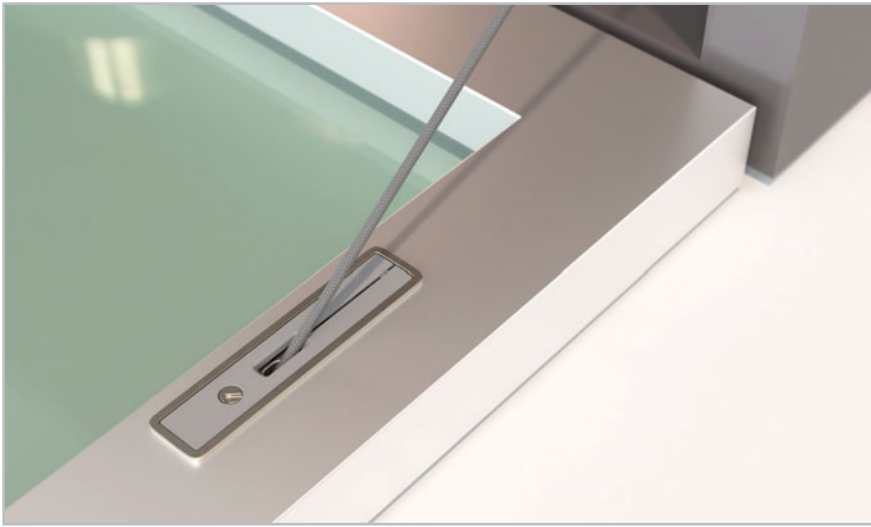
123  
**60101390ZN**



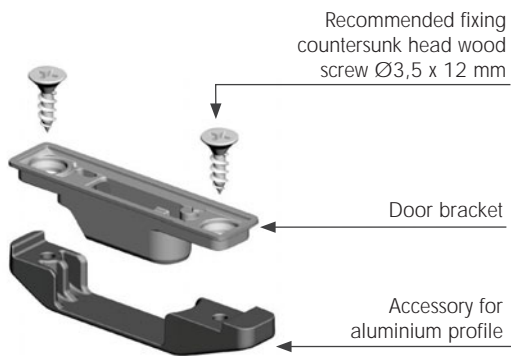
= Ø 5 mm +   
 = PZ2  
 = 5000 pcs.

123  
**60503050ZN**

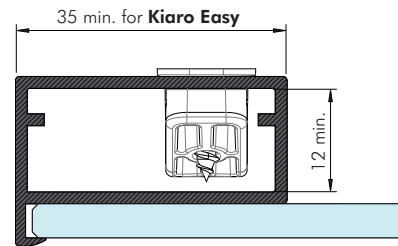
## DOOR BRACKET ACCESSORY FOR DOORS WITH ALUMINIUM PROFILE



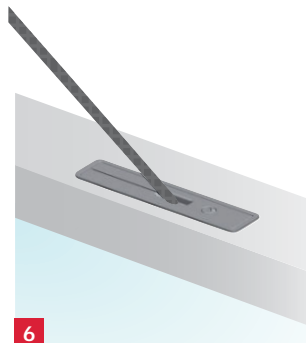
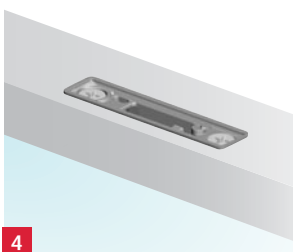
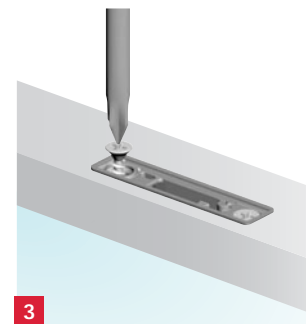
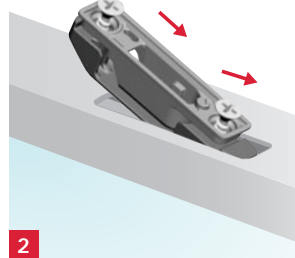
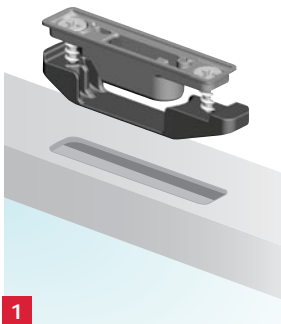
DOOR BRACKET INSTALLATION

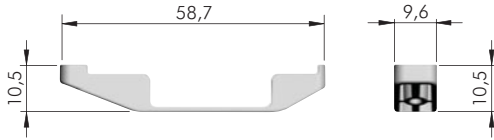


DOOR SPECIFICATION



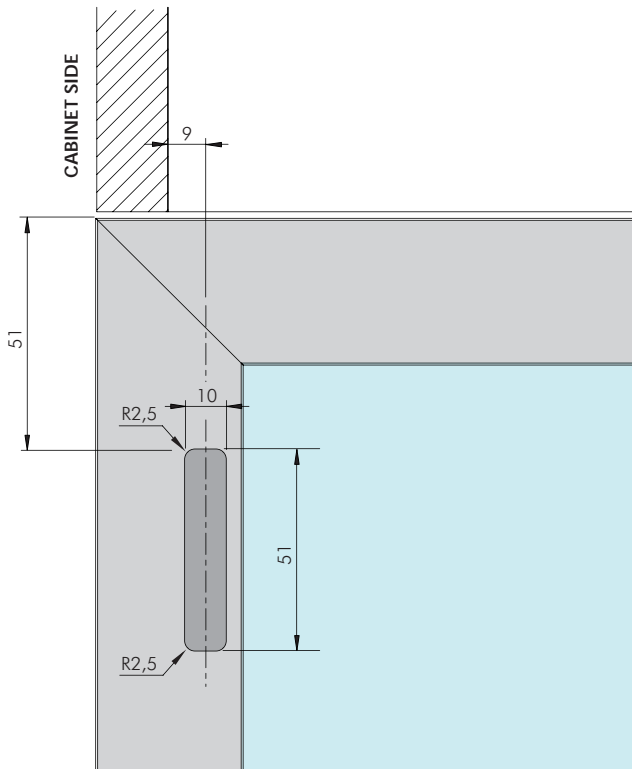
Join the door bracket with  
the accessory keeping the  
screws loose



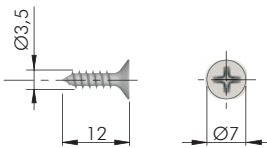


EP	= 1500 pcs.
<b>4630208000</b>	

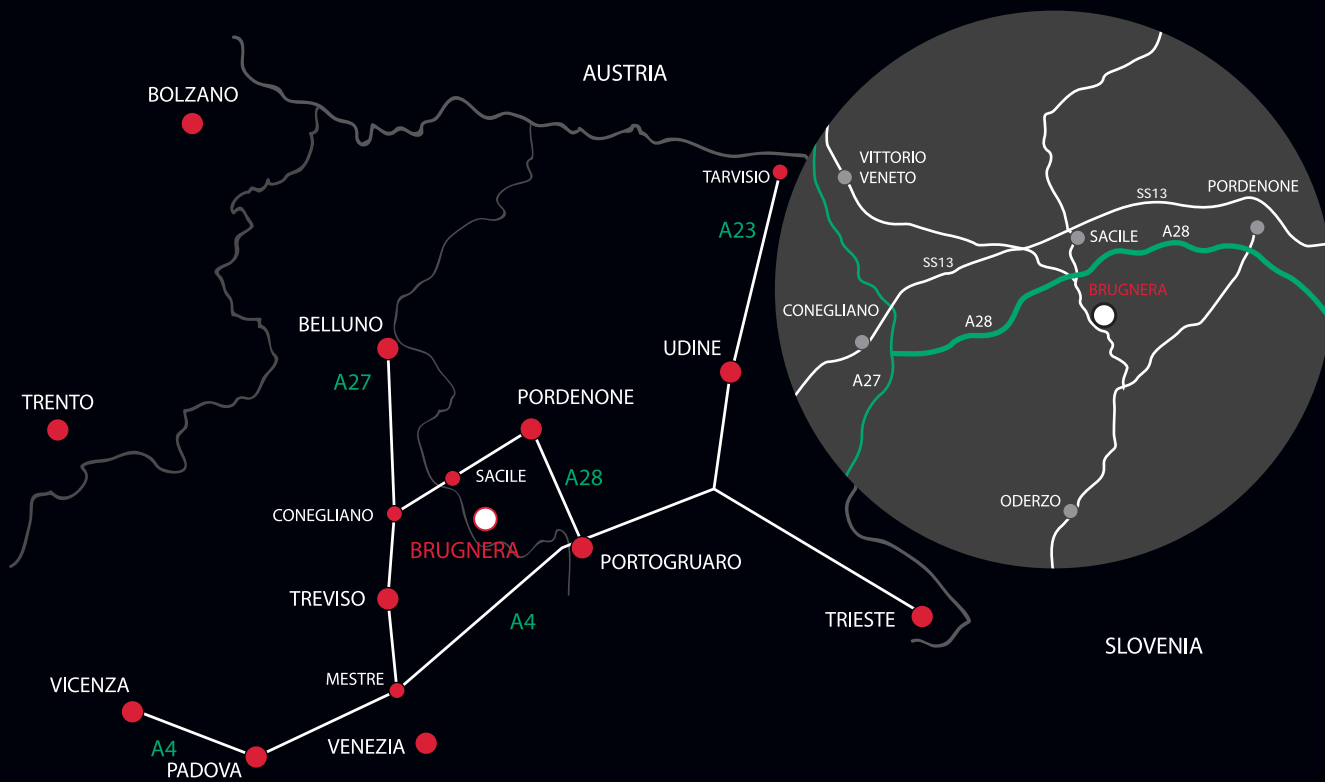
**DRILLING PLAN FOR KIARO EASY**



**FIXING ACCESSORY**



= Ø 3 mm	
= PZ2	
ST	= 10.000 pcs.
<b>60101380ZN</b>	



[www.italianaferramenta.it](http://www.italianaferramenta.it)